



SPARE PARTS LIST
HTC GL 450



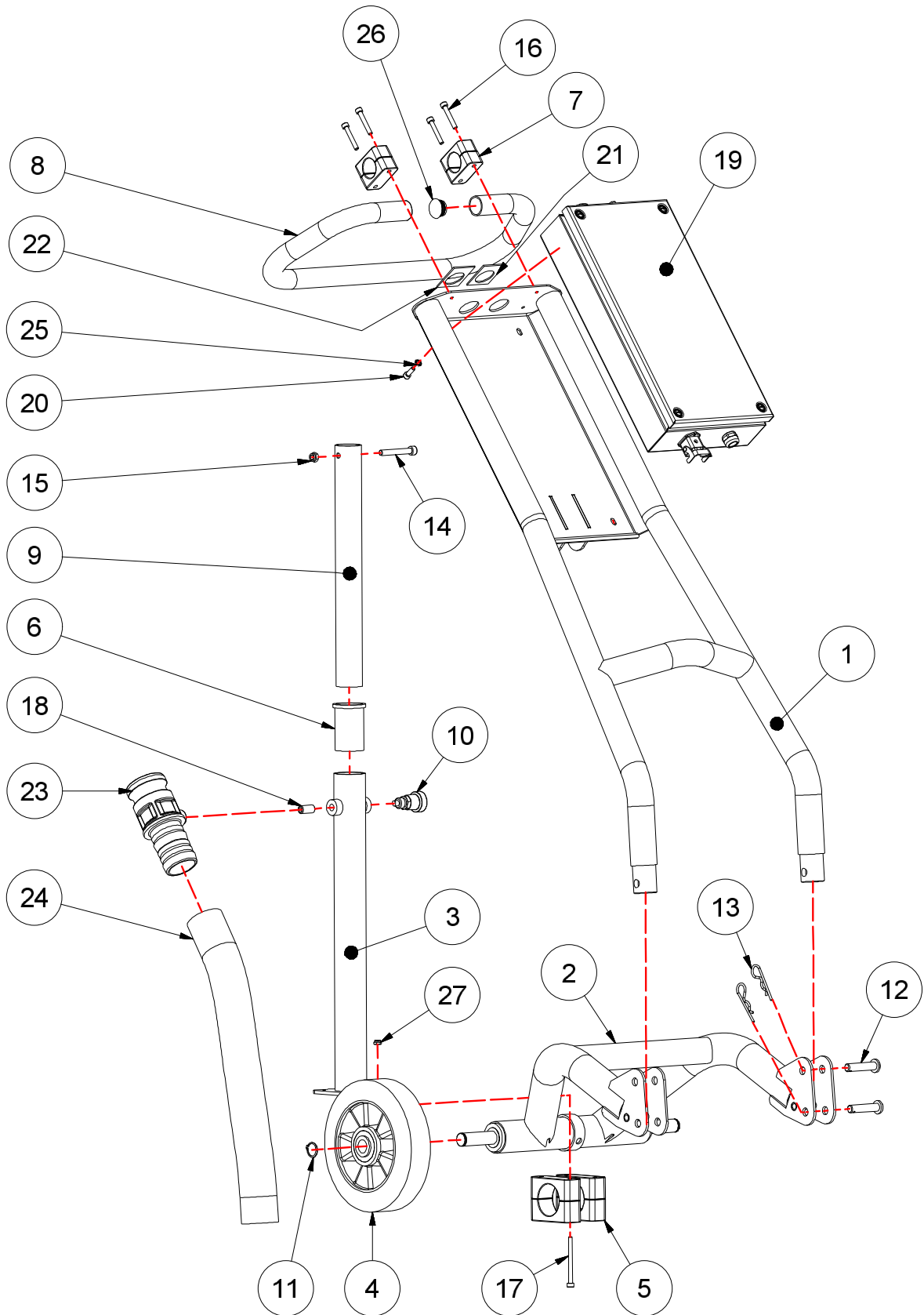


Table of Contents

Contents

Table of Contents	1
Greyline 450 Chassis	3
Greyline 450 Grinding Head	5
Greyline 450 Grinding Head	7
Greyline 450 Grind Holder	9
Greyline 450 Electrical –110v 50/60Hz.....	11
Greyline 450 Electrical – 230v 50Hz.....	13
Greyline 450 Electrical – 230v 60Hz.....	15
Greyline 450HD Electrical – 230v 50Hz.....	17

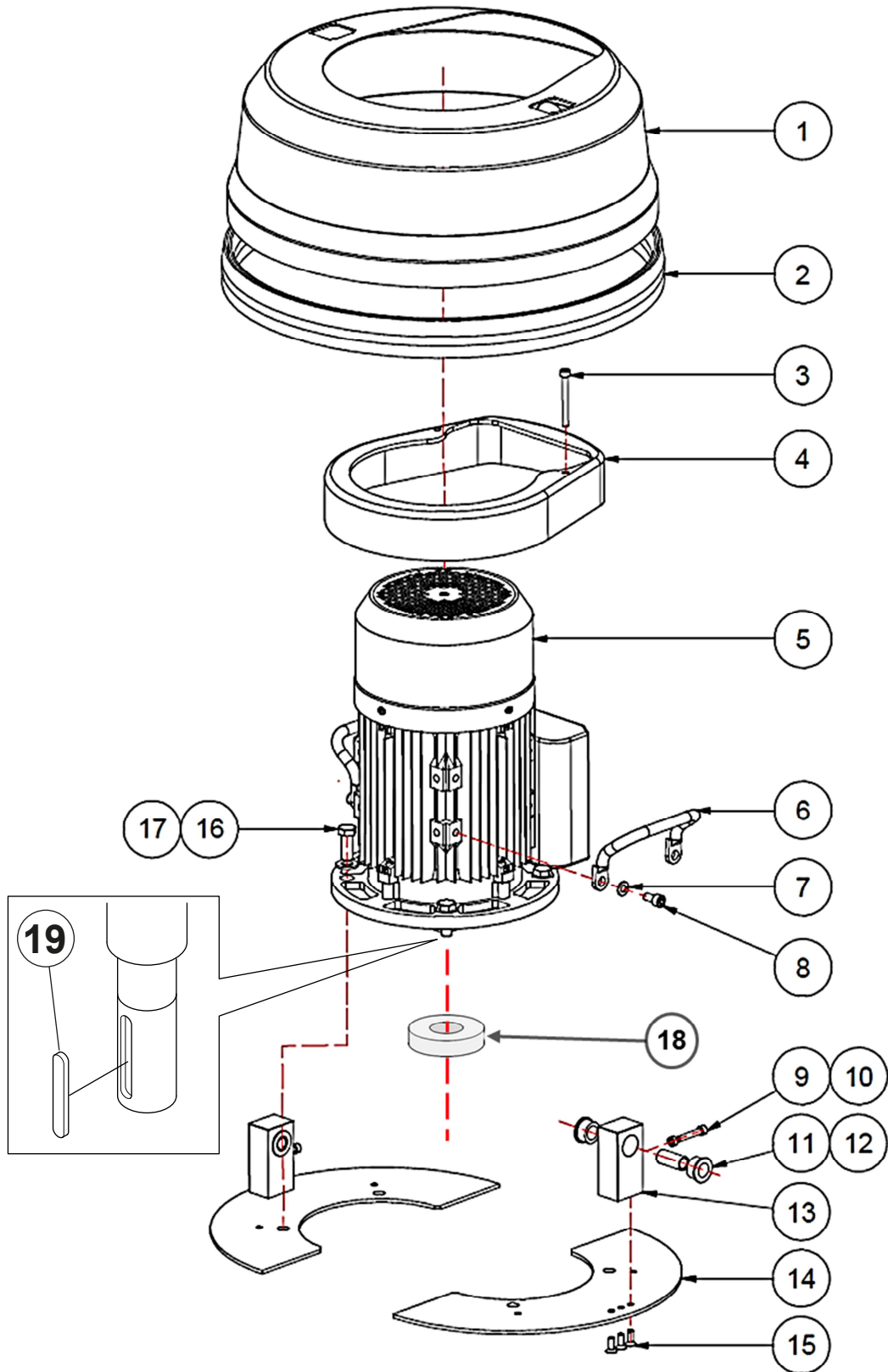
Greyline 450 Chassis



Greyline 450 Chassis

Item	Description	Part no	Qty
1	UPPER CHASSIS	593519501	1
2	CHASSIS BOTTOM PART	593519201	1
3	CHASSIS POSITIONER	593524101	1
4	WHEEL	593408701	2
5	PIPE CLAMP	595633801	2
6	CHASSIS POSITIONER GUIDE BUSHING	593524201	1
7	PIPE CLAMP ALU	593456701	2
8	CHASSIS HANDLE	593519401	1
9	CHASSIS POSITIONER INNER TUBE	593519301	1
10	LEVER INDEXING PLUNGER	593456801	1
11	CIRCLIP SGA 20	593496301	2
12	PIN CBH 12X55 FZB	593510701	4
13	LOCKING CLIP	593510801	4
14	SCREW M8X60	593500301	1
15	LOCKNUT M8	593499801	1
16	SCREW M6X40	593630301	4
17	SCREW M6X70	593510201	4
18	SCREW M12X25	593511201	1
19	POWER UNIT GL 450 1x110V 50/60 Hz	593547801	1
19	POWER UNIT GL 450 1x230V 50 Hz	593547101	1
19	POWER UNIT GL 450 1x230V 60Hz	593547301	1
19	POWER UNIT GL 450HD 1x230v 50Hz	595725801	1
20	SCREW M6X16	593500701	4
21	OVERLAY GL "ON-OFF"	593458701	1
22	OVERLAY GL "EM-STOP"	593459601	1
23	CAMLOCK MALE TUBE CON. 2" ALU	593460401	1
24	HOSE 51MM POLYURETAN BLACK	112516	0,5
25	WASHER M6	593511001	4
26	INSERT RIBBED	593628901	2
27	LOCKNUT M6	593500001	4

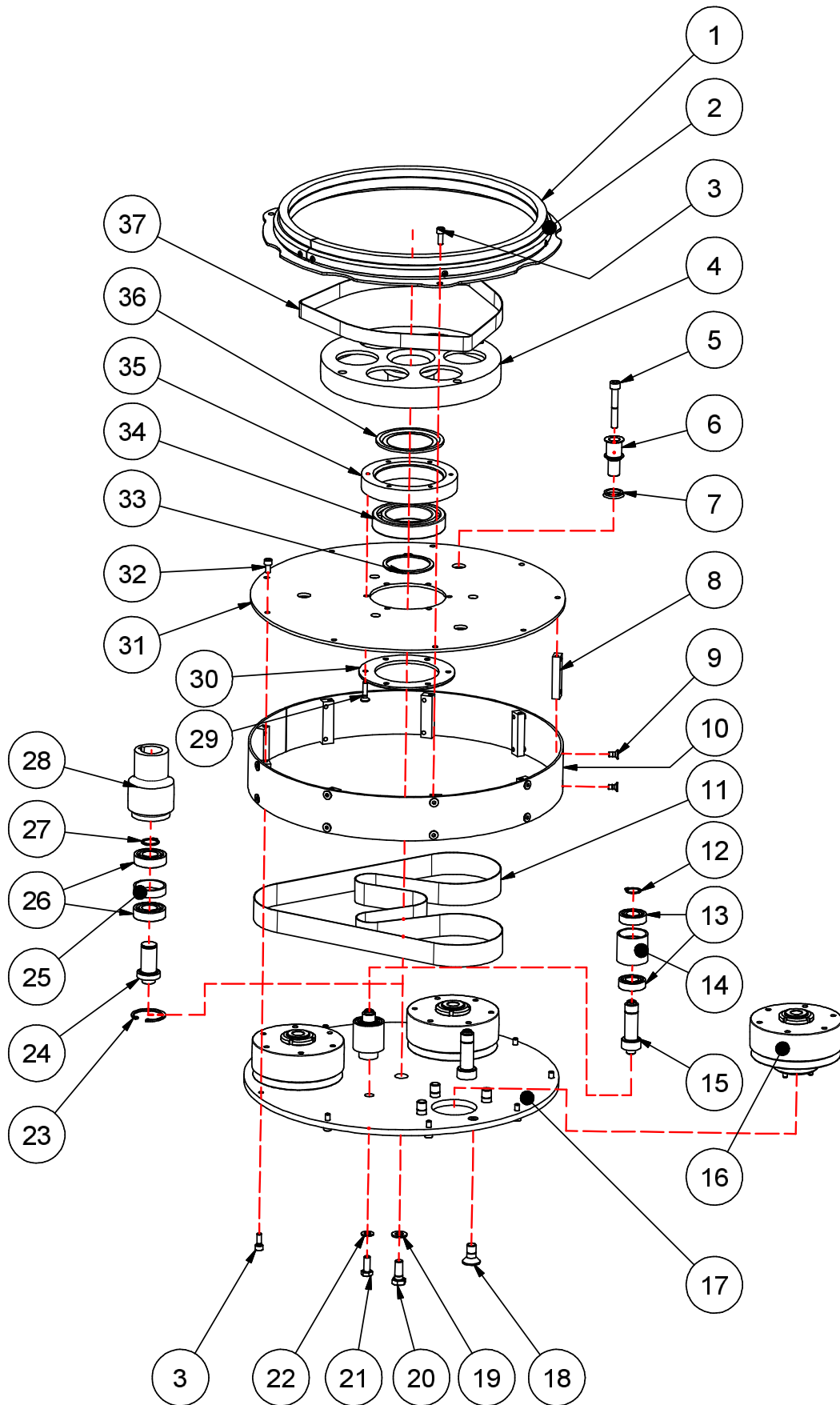
Greyline 450 Grinding Head



Greyline 450 Grinding Head

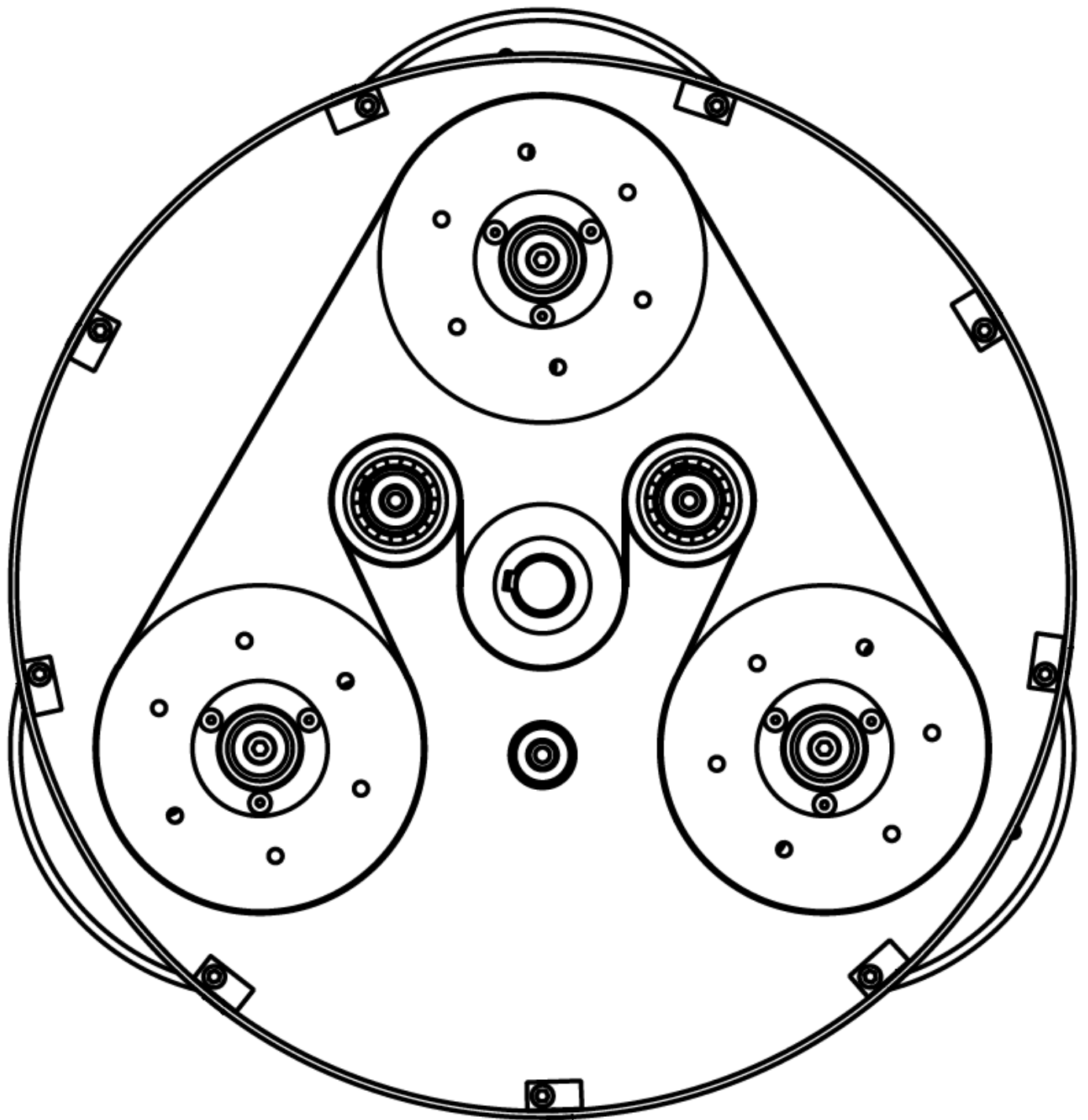
Item	Description	Part no	Qty
1	DUST COVER	593520101	1
2	BRUSH LIST	593446101	1,5 M
3	SCREW M6x60	595676801	2
4	COVER GUIDE	593520201	1
5	MOTOR 1,5KW 6-POL 1x110V, 50Hz	593456601	1
	MOTOR 1,5KW 6-POL 1x110V, 60Hz	113082	1
	MOTOR 1,5KW 6-POL 1x230V, 50HZ	593455901	1
	MOTOR 1,5KW 6 POL 1x230V, 60HZ	593456501	1
	MOTOR 2,2KW 4-POL 1x230V, 50HZ	593472901	1
6	LIFT HANDLE 1.5kW MOTOR	593520301	2
7	WASHER BRB M8	593500401	4
8	SCREW M8x14	593500601	4
9	SCREW M6x35	593504201	2
10	NUT M6	593505501	2
11	RUBBER BUSHING	593520901	4
12	BUSHING SLEEVE	593519101	2
13	HOLD	593519601	2
14	MOTOR PLATE	595695001	2
15	SCREW M6x16	593507801	6
16	SCREW M12x35	593510901	4
17	WASHER M12	593499401	4
18	FOAM RING	593408401	1
19	WEDGE MOTOR SHAFT 1,5kW	593557301	1

Greyline 450 Grinding Head



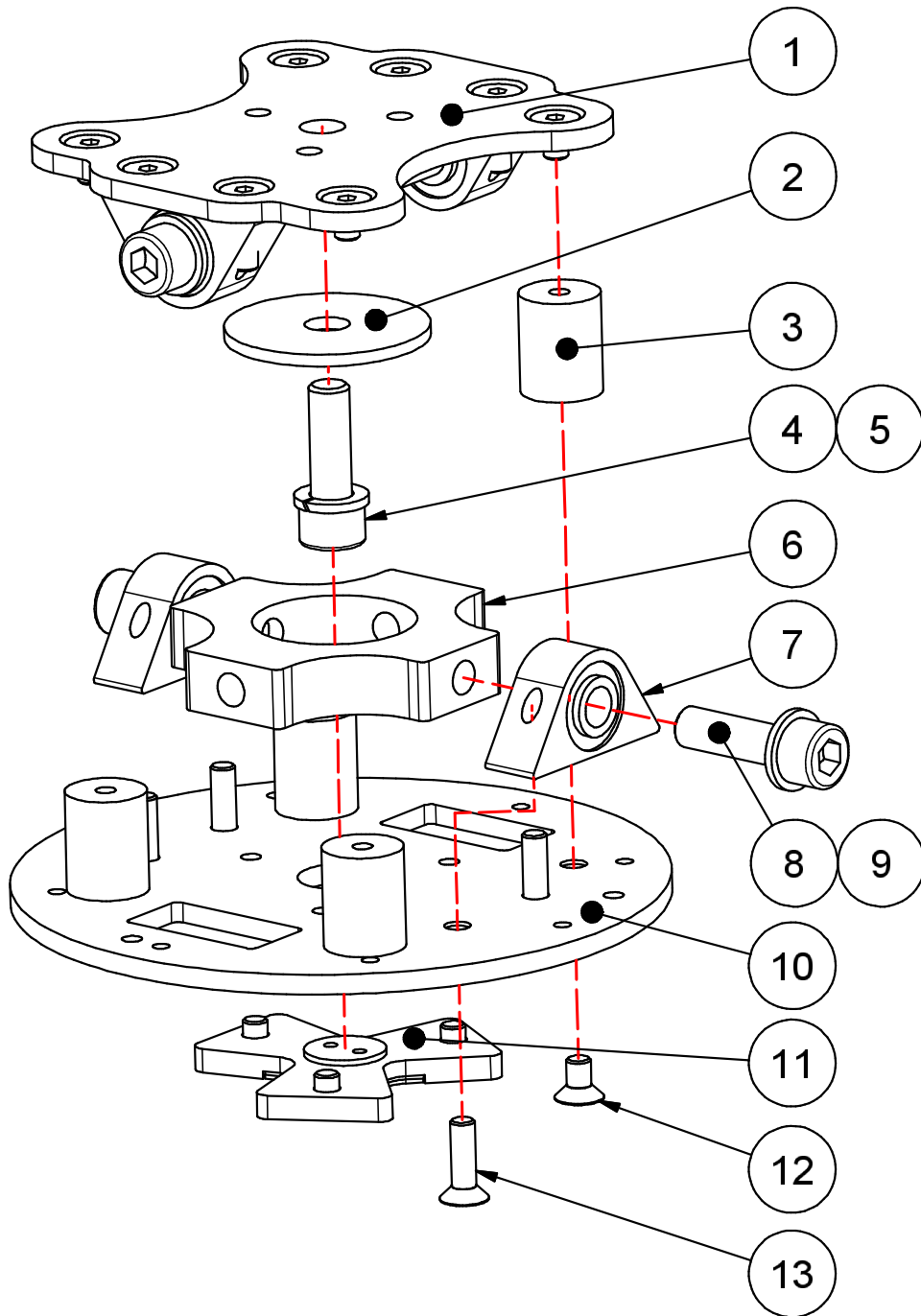
Greyline 450 Grinding Head

Item	Description	Part no	Qty
1	BRUSH STRIP INCLUDED IN POS.2		
2	SAFETY COVER BELT COMPL. W. BRUSH STRIP	593627701	1
3	SCREW M6X16	593500701	12
4	MOTOR PLATE	593404101	1
5	SCREW M8X55	593506001	3
6	SHAFT UPPER BELT	593404001	3
7	SEALING V-RING	593405001	3
8	FIXING BOSS	593402401	9
9	SCREW M6X16	593507801	18
10	BORDER	593402201	1
11	BELT INNER S-140	593377901	1
12	CIRCLIP SGA 18	593501401	2
13	BALL BEARING	593415101	4
14	PRESS WHEEL	593403901	2
15	SHAFT PRESSWHEEL	593403801	3
16	PULLEY ASSEMBLY COMPLETE	593404501	3
17	LOWER LID	593401801	1
18	SCREW M12X20	593501801	12
19	WASHER M10	593498501	1
20	SCREW M10X25	593501101	1
21	SCREW M8X20	593503701	6
22	WASHER M8	593496201	6
23	CIRCLIP SGH 42	593507401	1
24	SHAFT CENTERPULLEY	593403201	1
25	SPACER CENTER HUB	593403501	1
26	BALL BEARING	593415201	2
27	CIRCLIP SGA 20	593496301	1
28	CENTER PULLEY	593403301	1
29	SCREW M6X25	593507301	6
30	COVER CENTER	593401901	1
31	UPPER LID	593402501	1
32	SCREW M6x12	593497301	6
33	CIRCLIP SGA 60	593496501	1
34	BALL BEARING	593382101	1
35	HOUSING CENTRE	593403401	1
36	NILOS RING	593377701	1
37	BELT UPPER S-140	593378001	1



BELT ORIENTATION – HTC 450

Greyline 450 Grind Holder

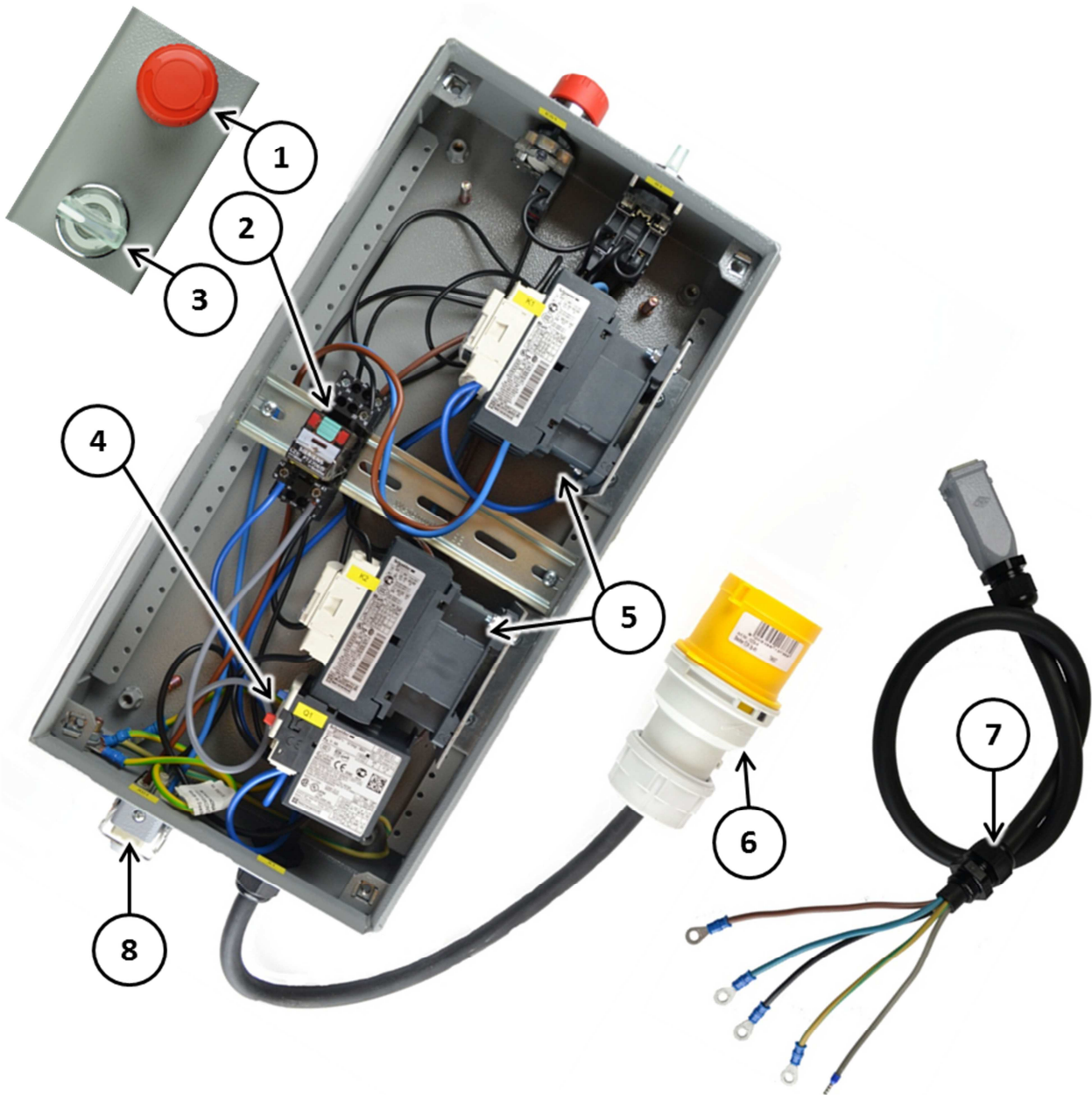


Greyline 450 Grind Holder

GRINDHOLDER COMPLETE - 112355

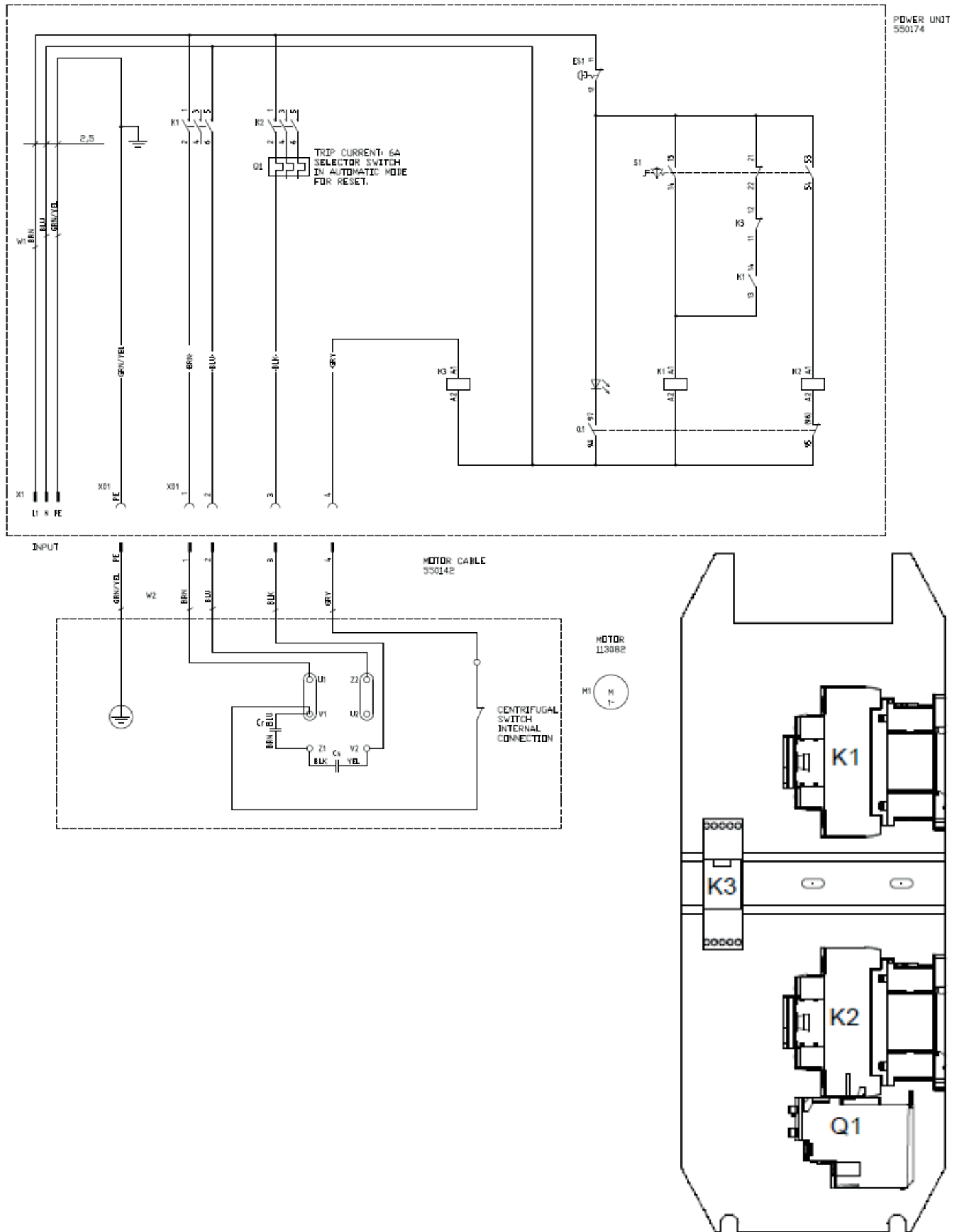
Item	Description	Part no	Qty
1	UPPER GRIND HOLDER PLATE	593440101	1
2	WASHER	593440001	1
3	SHOCK ABSORBER M6	595748401	4
4	SCREW M10X30	593504101	1
5	WASHER M10	593509901	1
6	CARDAN CONNECTION	593440301	1
7	EAR CARDAN	593616401	4
8	SCREW M10X35	593508101	4
9	WASHER M10	593499101	4
10	LOWER GRIND HOLDER PLATE	593440201	1
11	CROSS COMPLETE	593616301	1
12	SCREW M6X10	310311	8
13	SCREW M6X20	593505101	8

Greyline 450 Electrical –110v 50/60Hz.

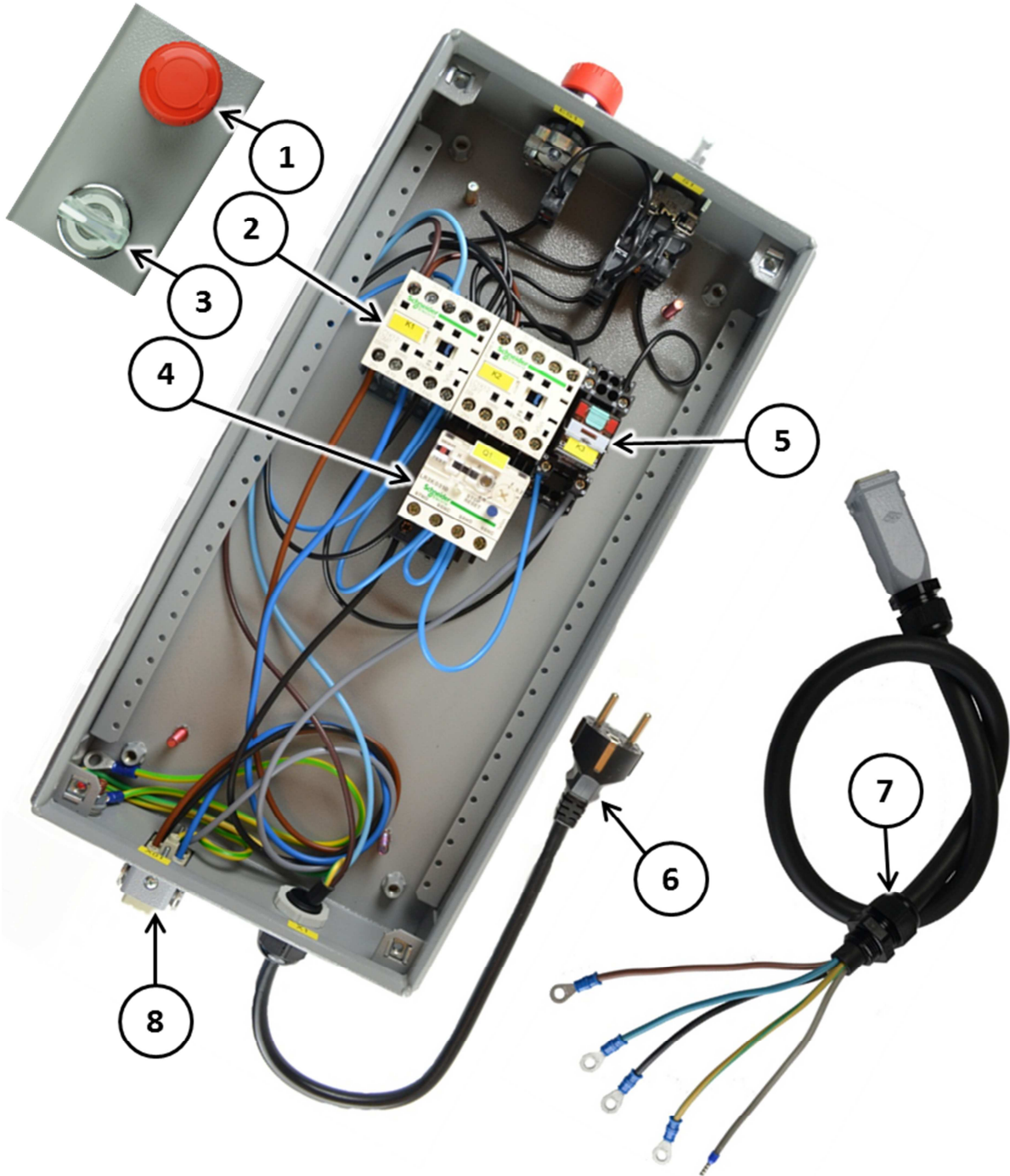


Greyline 450 Electrical –110v 50/60Hz.**POWER UNIT HTC GL 450 1x110v - 550174**

Item	Tag	Description	Part no	Qty
1	ES1	PRESS BUTTON EM.STOP	593398901	1
		MOUNTING BASE	593614901	1
		CONTACT BLOCK NC	593399701	1
2	K3	RELAY	593552101	1
		RELAY BASE	593552001	1
3	S1	KNOB WHITE 3-POS	593406101	1
		MOUNTING BASE	593614901	1
		LIGHT BLOCK LED ORANGE	593551401	1
		CONTACT BLOCK NC	593399701	1
		CONTACT BLOCK NO	593399601	2
4	Q1	RELAY OVERCURRENT 4A-6A	593551601	1
5	K1. K2	CONTACTOR	593551801	2
6	X1	PLUG 32A 3P YELLOW	595732101	1
7	W2	MOTOR CABLE GL 1-PHASE COMPL	593546501	1
8	X01	MOTOR CABLE INL GL 1-PH COMPL	593547401	1

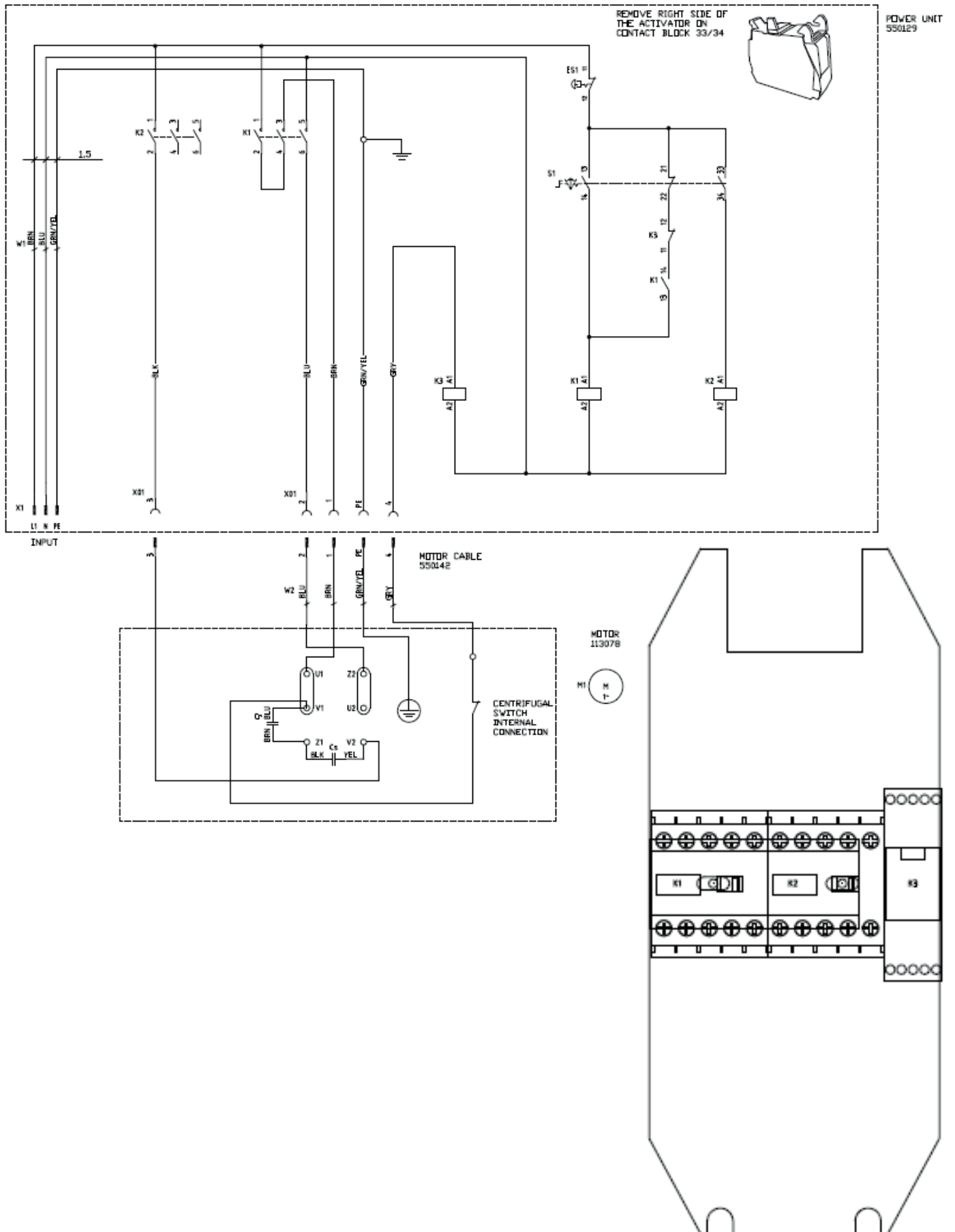


Greyline 450 Electrical – 230v 50Hz

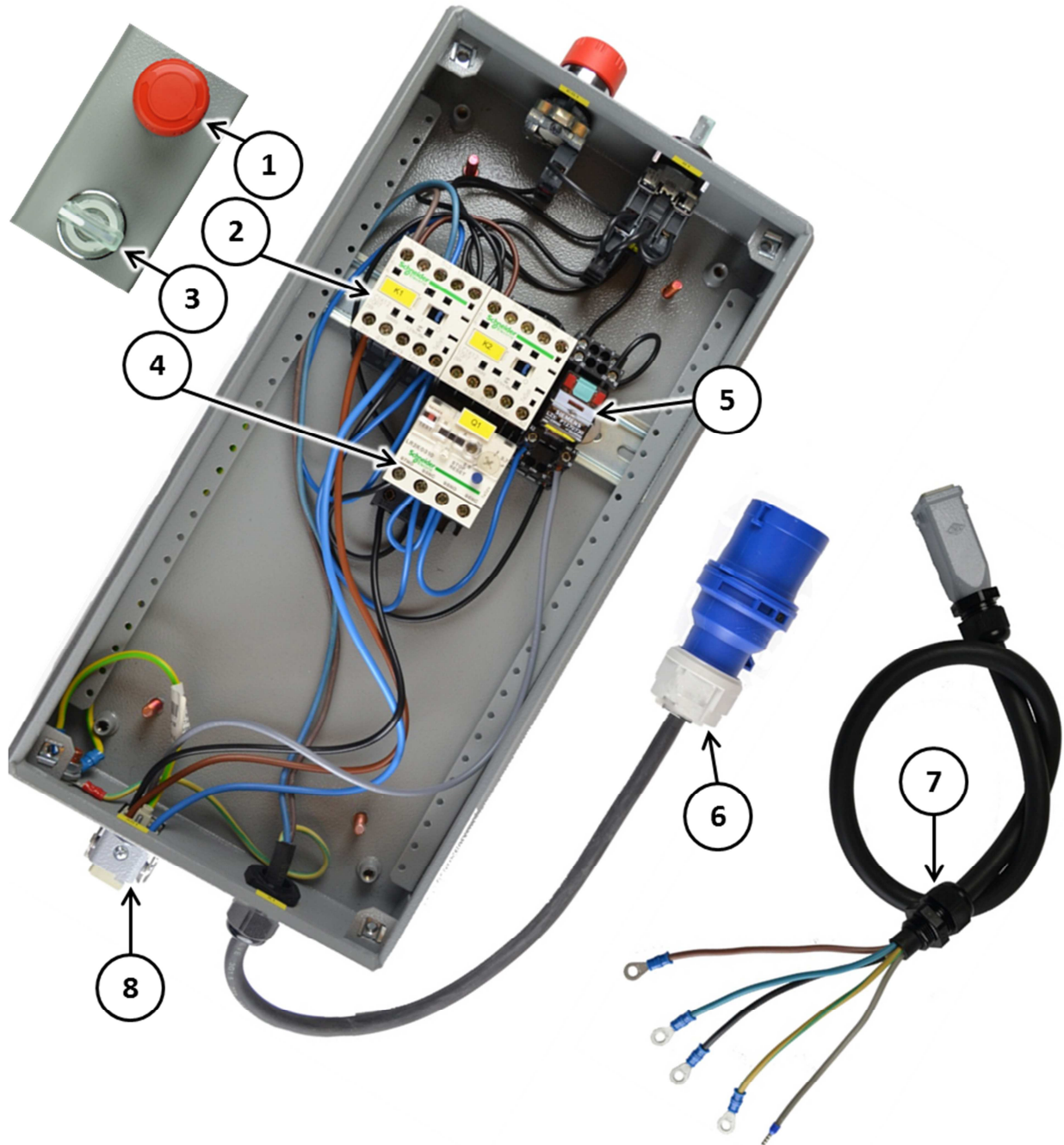


Greyline 450 Electrical – 230v 50Hz
POWER UNIT HTC GL 450 1x230v 50Hz - 550165

Item	Tag	Description	Part no	Qty
1	ES1	PRESS BUTTON EM.STOP	593398901	1
		MOUNTING BASE	593614901	1
		CONTACT BLOCK NC	593399701	1
2	K1. K2	CONTACTOR	593550201	2
3	S1	KNOB WHITE 3-POS	593406101	1
		MOUNTING BASE	593614901	1
		LIGHT BLOCK LED ORANGE	593551401	1
		CONTACT BLOCK NC	593399701	1
		CONTACT BLOCK NO	593399601	2
4	Q1	RELAY OVERCURRENT 2.6A-3.7A	593551501	1
5	K3	RELAY	593551901	1
		RELAY BASE	593552001	1
6	X1	POWER CABLE 1PH 230V EU	593550401	1
7	X01	MOTOR CABLE INL GL 1-PH COMPL	593547401	1
8	W2	MOTOR CABLE GL 1-PHASE COMPL	593546501	1

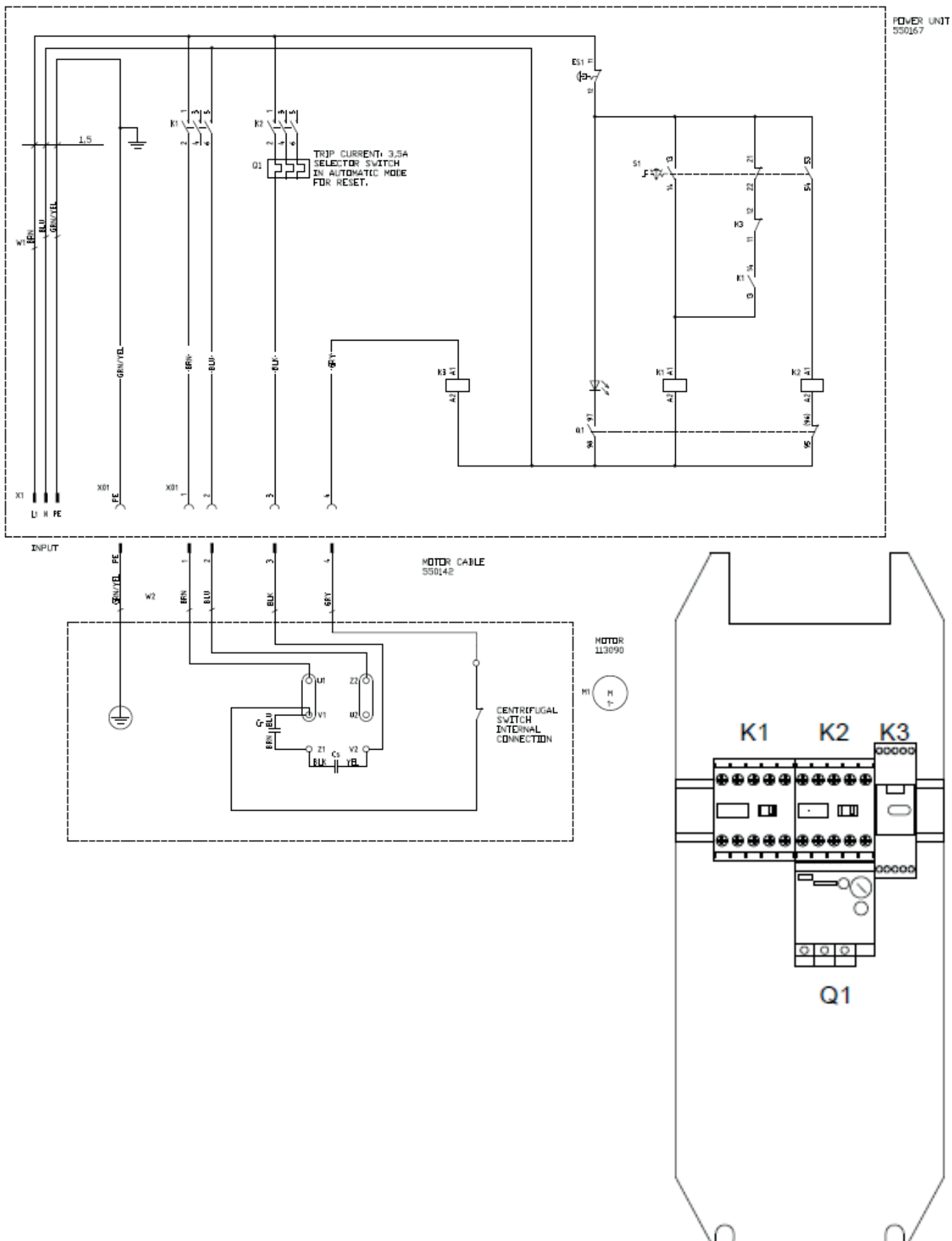


Greyline 450 Electrical – 230v 60Hz

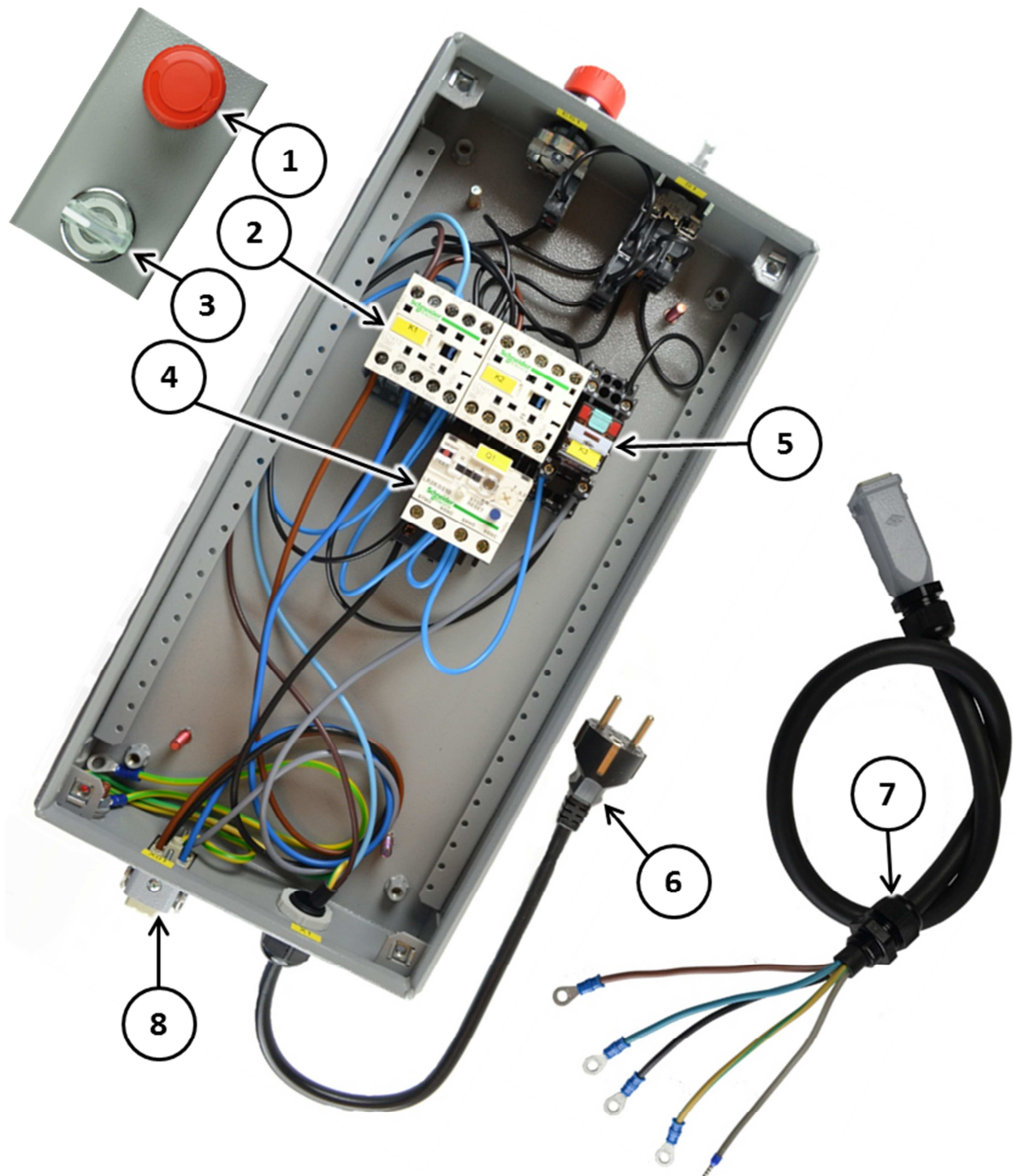


Greyline 450 Electrical – 230v 60Hz
POWER UNIT HTC GL 450 1x230v 60Hz - 550167

Item	Tag	Description	Part no	Qty
1	ES1	PRESS BUTTON EM.STOP	593398901	1
		MOUNTING BASE	593614901	1
		CONTACT BLOCK NC	593399701	1
2	K1. K2	CONTACTOR	593550201	2
3	S1	KNOB WHITE 3-POS	593406101	1
		MOUNTING BASE	593614901	1
		LIGHT BLOCK LED ORANGE	593551401	1
		CONTACT BLOCK NC	593399701	1
		CONTACT BLOCK NO	593399601	2
4	Q1	RELAY OVERCURRENT 2.6A-3.7A	593551501	1
5	K3	RELAY	593551901	1
		RELAY BASE	593552001	1
6	X1	PLUG 16A 3P BLUE	593633101	1
7	W2	MOTOR CABLE GL 1-PHASE COMPL	593546501	1
8	X01	MOTOR CABLE INL GL 1-PH COMPL	593547401	1



Greyline 450HD Electrical – 230v 50Hz



Greyline 450HD Electrical – 230v 50Hz
POWER UNIT HTC GL 450HD 1x230v 50Hz - 550176

Item	Tag	Description	Part no	Qty
1	ES1	PRESS BUTTON EM.STOP	593398901	1
		MOUNTING BASE	593614901	1
		CONTACT BLOCK NC	593399701	1
2	K1. K2	CONTACTOR	593550201	2
3	S1	KNOB WHITE 3-POS	593406101	1
		MOUNTING BASE	593614901	1
		LIGHT BLOCK LED ORANGE	593551401	1
		CONTACT BLOCK NC	593399701	1
		CONTACT BLOCK NO	593399601	2
4	Q1	RELAY OVERCURRENT 2.6A-3.7A	593551501	1
5	K3	RELAY	593551901	1
		RELAY BASE	593552001	1
6	X1	POWER CABLE 1PH 230V EU	593550401	1
7	W2	MOTOR CABLE GL 1-PHASE COMPL	593546501	1
8	X01	MOTOR CABLE INL GL 1-PH COMPL	593547401	1

